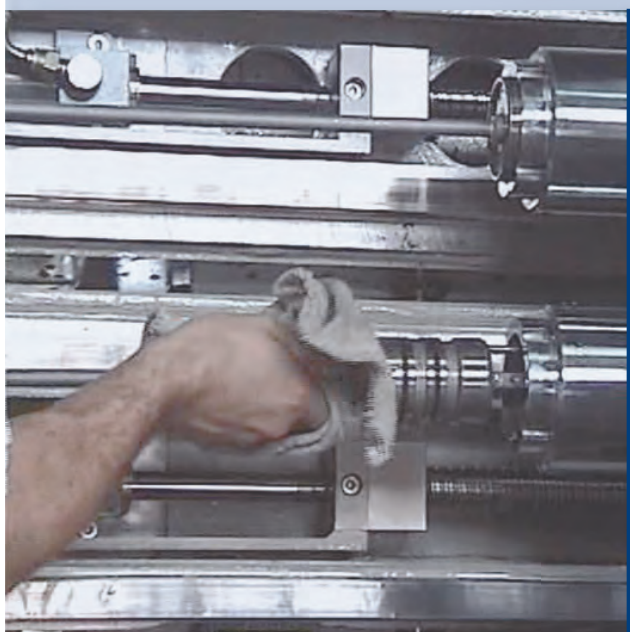


3

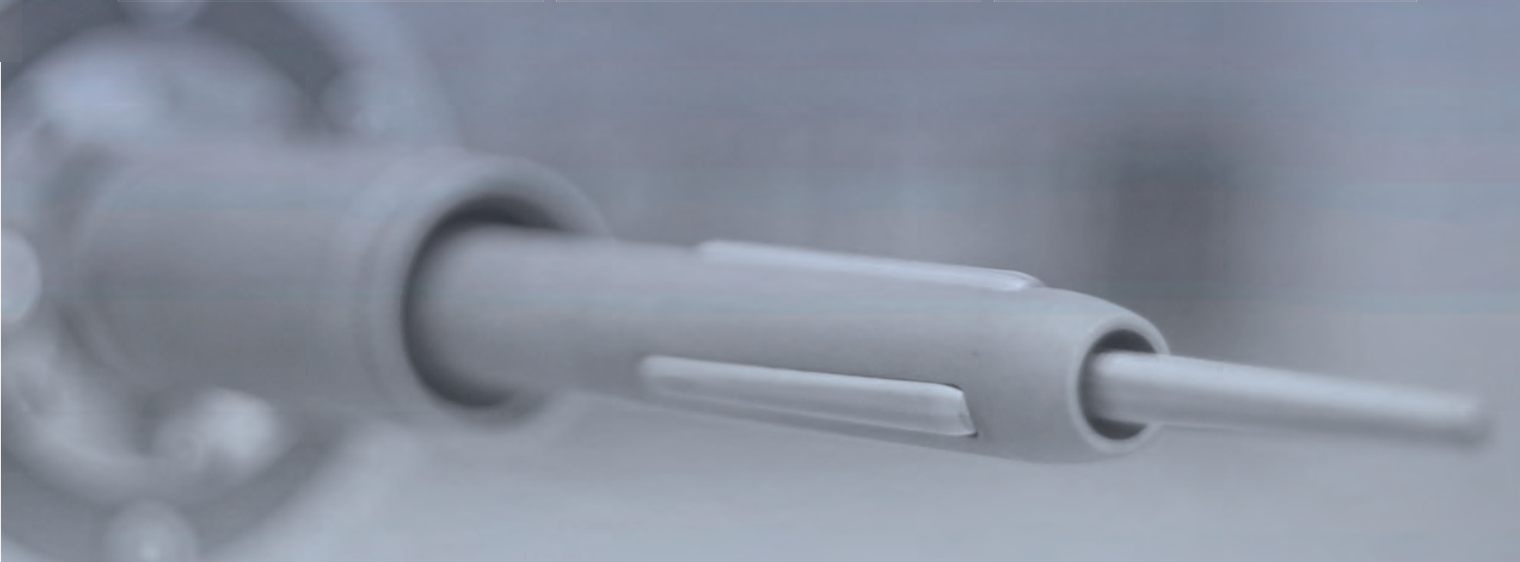
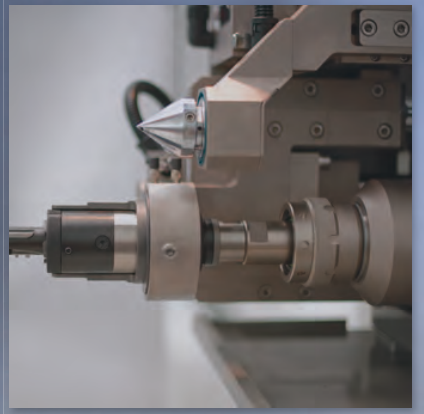
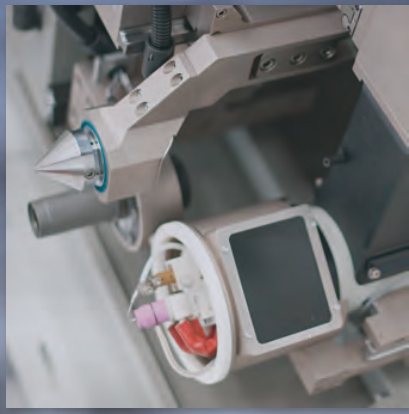
Accessories and tools for the MA series cnc working centres



Maus Italia here presents a brief overview of the tools and the accessories designed for the **MA-500**, **MA-2501**, and **MA-3501** working centres.

For **further technical** information, refer to the relevant catalogue.

The **technical staff** of the Maus Italia "Automation and Welding Division" is at customers' complete disposal to suggest the ideal solution to any kind of application.



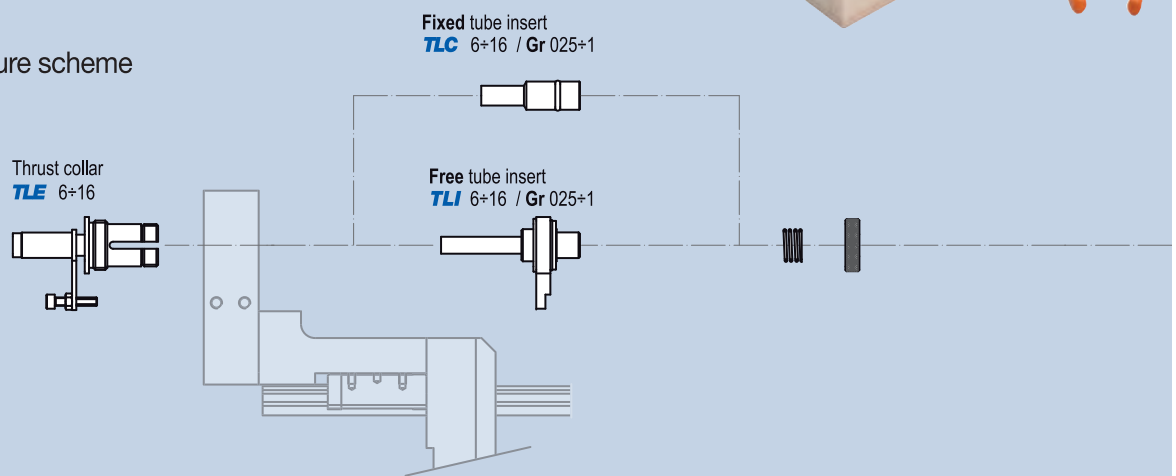
MA-500

Accessories and tools
for tube expansion
and facing



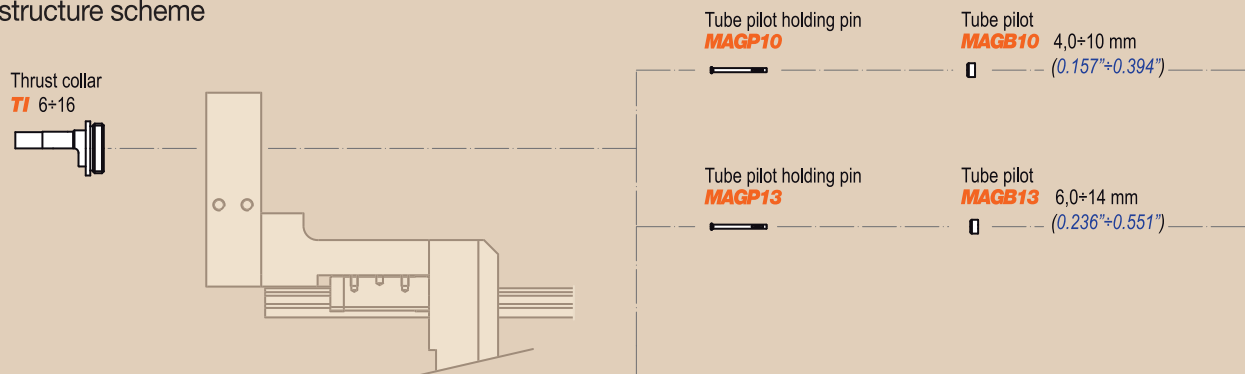
Rolling

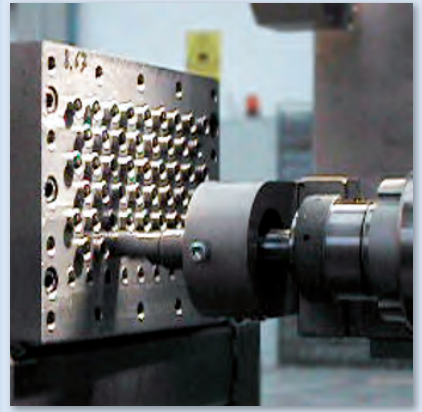
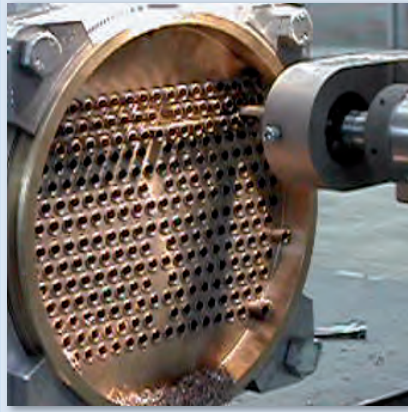
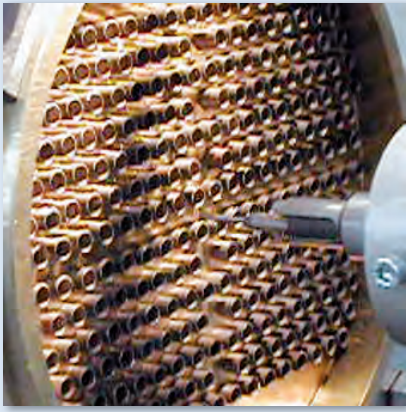
Tooling system structure scheme



Facing

Tooling system structure scheme





- Series **S** rolls
- **Lu** 14+17 mm (0.551"+0.669")
- Series **L** rolls
- **Lu** 26 mm (1.023")
- Series **C** rolls
- **Lu** 26 mm (1.023")
- Gr** 025+1

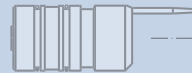


Cage
Gr 025+1
di 6,2+15,5 mm (0.244"+0.610")
RE 0+190 mm (0.000"+7.480")

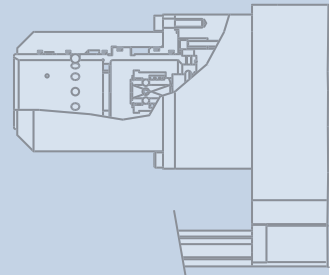
Mandrel **MA-500**
Gr 025+1



Quick connect cage holder
 complete with
 rotating distributor
 for lubrication
Gr 025+1
MA-500



MA-500



HSS facing tool
MAFHSS-10 6+11



Holding shank
MAC500-10 de 5/16"+3/8"



HSS facing tool
MAFHSS-13 8+18



Holding shank
MAC500-13 de 3/8"+1/2"



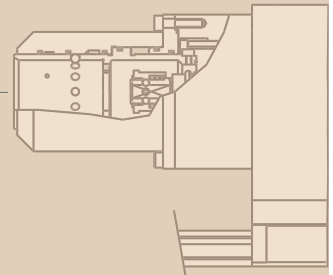
Bevelling/milling cutter 60°-90°
MAS-13 8+18



Quick connect
 tube end facer-holder
 complete with
 rotating distributor for lubrication
MA-500



MA-500



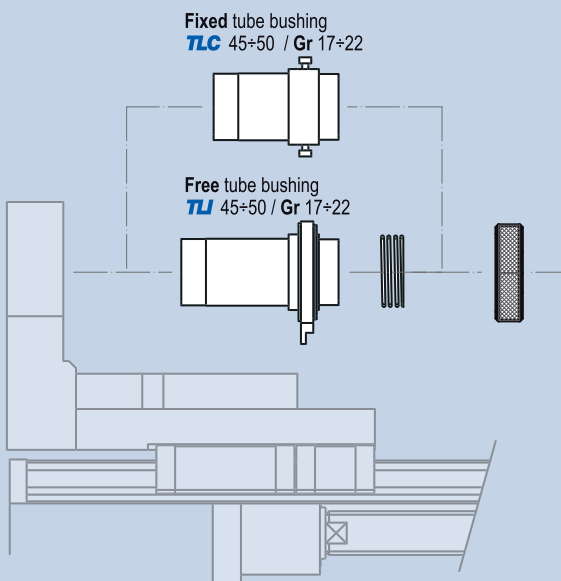
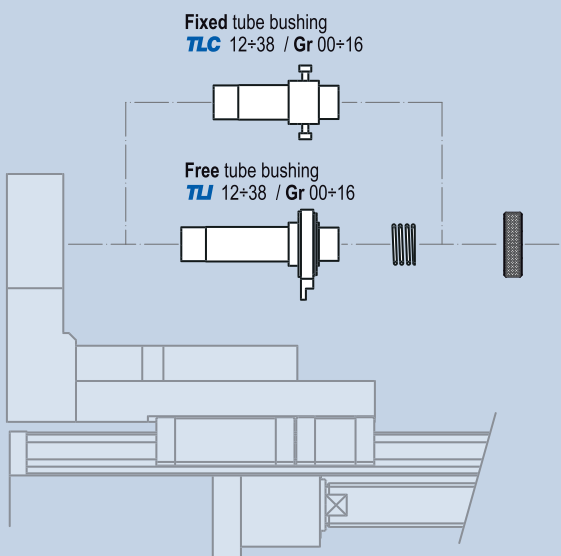
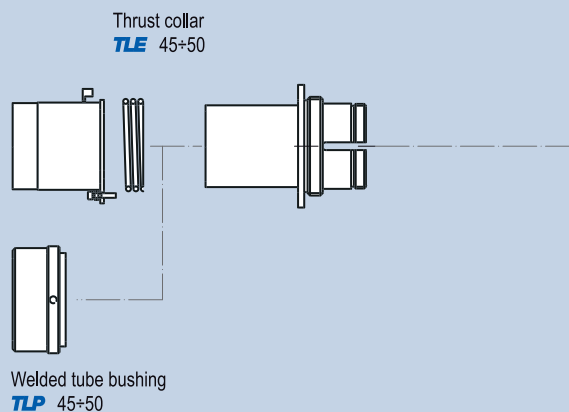
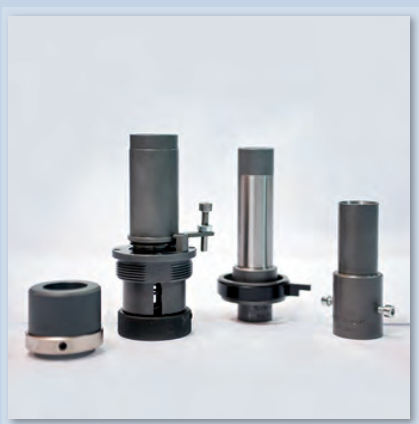
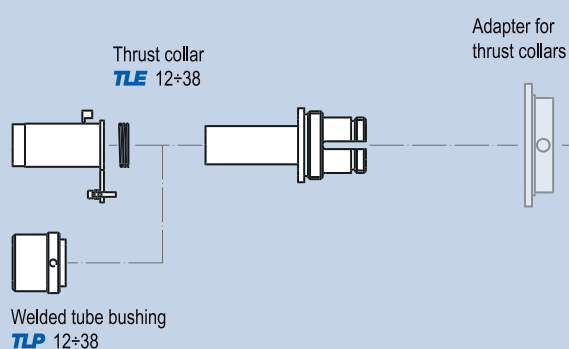
- Gr** size
- de** tube outside diameter
- di** tube inside diameter
- Lu** roll usefull length
- RE** expansion depth

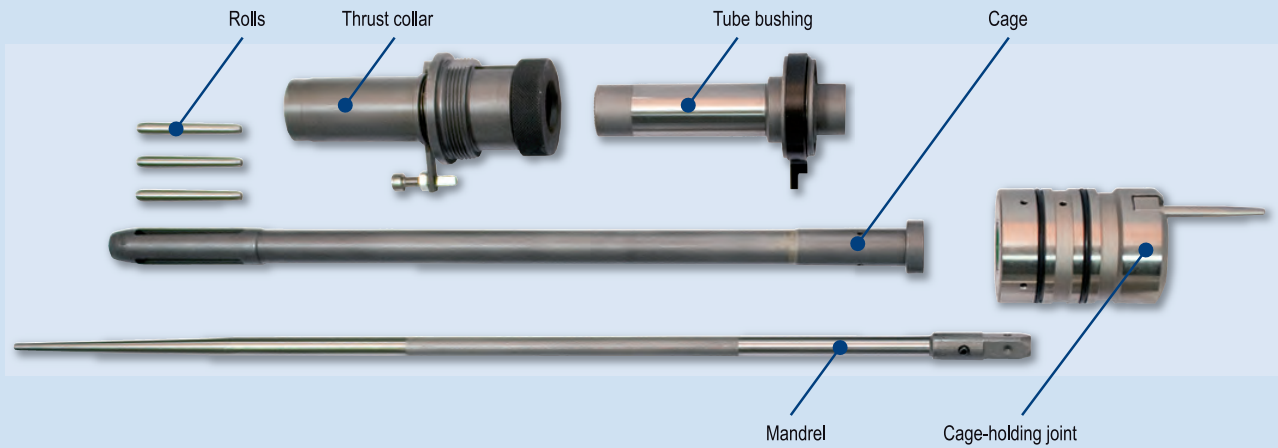
MA-2501

Accessories and tools
for tube expansion

Rolling

Tooling system structure scheme





Series **V** rolls
Lu 50 mm (1.968")
Gr 1+8

Series **T** rolls
Lu 30 mm (1.181")
Gr 00+8

MA-2500 mandrels
Gr 00+8

Quick connect
 cage holder joint complete with
 rotating distributor for lubrication
Gr 00+8

MA-2501
MA-3501

Cage
Gr 00+8
di 9,6+23,0 mm (0.378"+0.906")
RE 0+400 mm (0.000"+15.748")

Series **V** rolls
Lu 50 mm (1.968")
Gr 9+14

Series **T** rolls
Lu 30 mm (1.181")
Gr 9+14

MA-2500 mandrels
Gr 9+14

Quick connect
 cage holder joint complete with
 rotating distributor for lubrication
Gr 9+14

Cage
Gr 9+14
di 21,0+32,0 mm (0.827"+1.260")
RE 0+400 mm (0.000"+15.748")

Series **T** rolls
Lu 30 mm (1.181")
Gr 15+22



Cage
Gr 15+22
di 30,0+49,0 mm (1.181"+1.929")
RE 0+400 mm (0.000"+15.748")

MA-2500 mandrels
Gr 15+22

Quick connect
 cage holder joint complete with
 rotating distributor for lubrication
Gr 15+22



Gr size
de tube outside diameter
di tube inside diameter
Lu roll usefull length
RE expansion depth

MA-2501

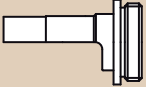
Accessories and tools
for tube facing

Facing

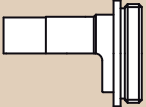
Tooling system structure scheme



Thrust collar
TI 12+38



Thrust collar
TI 45+50

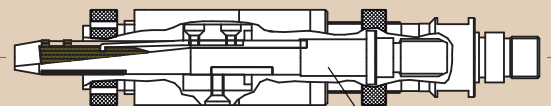


Thrust collar
TFC 2+4



Grooving

Tooling system structure scheme



F/26 cutter
LM2

Cutter-holding mandrel
RE 1+47 mm (0.039"+1.850")

Tube pilot holding pin
MAGP10



Tube pilot
MAGB10 7,0+10,5 mm
(0.276"+0.413")



F751 Tube pilot
MAG751 10,4+13,4 mm
(0.409"+0.528")



F751 cutter
F751 Gr 2



Tube pilot holding pin
MAGP13



Tube pilot
MAGB13 7,0+15,0 mm
(0.276"+0.591")



Widia bits
MACU 5/8"



F751 Tube pilot
MAG751 12,3+23,7 mm
(0.484"+0.933")



F751 cutter
F751 Gr 3+5



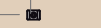
Tube pilot holding pin
MAGP19



Tube pilot
MAGB19 12,0+24,5 mm
(0.472"+0.965")



Widia bits
MACU 3/4"+1"



F751 Tube pilot
MAG751 23,4+48,0 mm
(0.921"+1.890")



F751 cutter
F751 Gr 6+7



Tube pilot holding pin
MAGP32

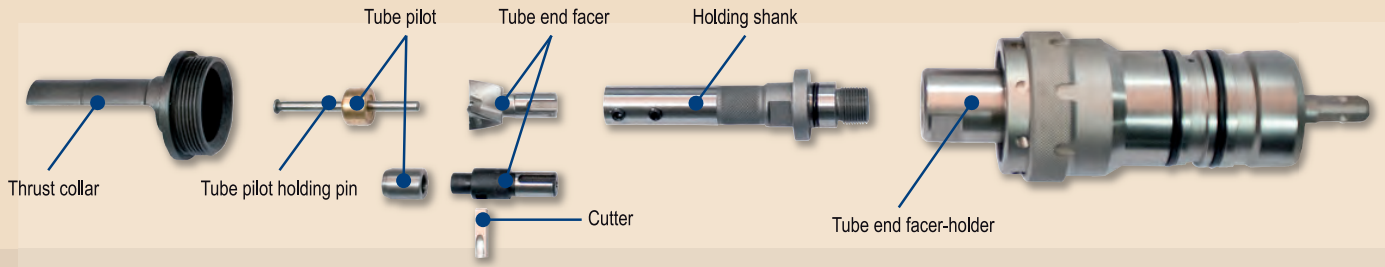


Tube pilot
MAGB32 24,0+49,0 mm
(0.945"+1.929")



Widia bits
MACU 1.1/4"+2"





HSS tube end facer
MAFHSS10 11÷15

Bevelling tool 60°-90°
MAS13 10÷15

F751 tube end facer
MAF751 5/8"

Insert tube end facer
MAFAST13 5/8"

HSS tube end facer
MAFHSS13 15÷18

Bevelling tool 60°-90°
MAS13 10÷18

F751 tube end facer
MAF751 3/4"+1"

Insert tube end facer
MAFAST19 3/4"+1"

HSS tube end facer
MAFHSS-9 22÷28

Bevelling tool 60°-90°
MAS19 22÷28

F751 tube end facer
MAF751 1.1/4"+2"

Insert tube end facer
MAFAST32 1.1/4"+2"

HSS tube end facer
MAFHSS32 34÷53

Bevelling tool 60°-90°
MAS32 34÷50

F/26 grooving tool
de 5/8"+1.1/4"

Holding shank
MAC-10 de 3/8"+1/2"



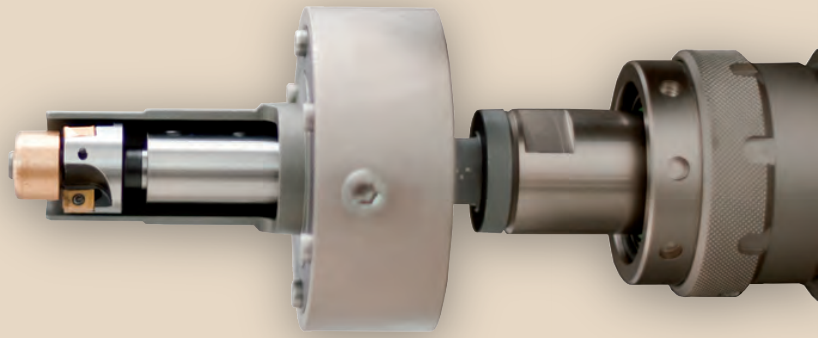
Holding shank
MAC-13 de 1/2"+5/8"



Holding shank
MAC-19 de 3/4"+1"

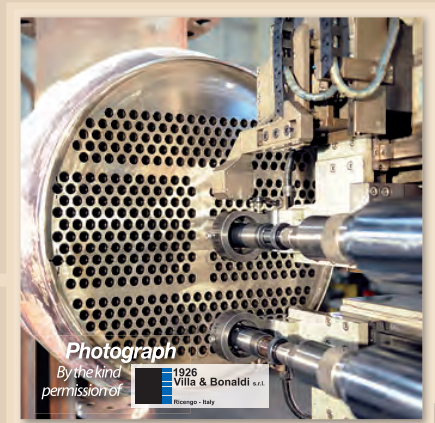
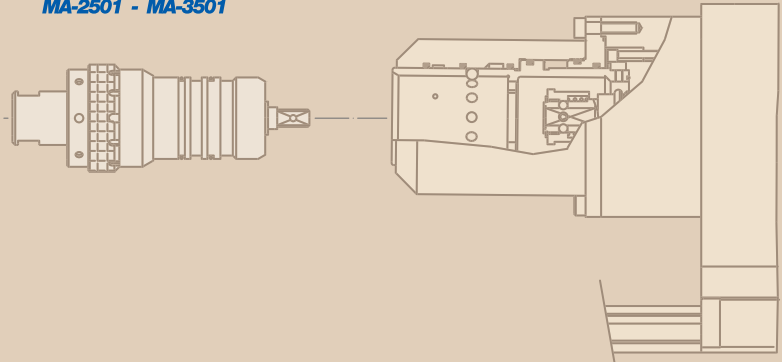


Holding shank
MAC-32 de 1.1/4"+2"



Quick connect tube end facer-holder complete with rotating distributor for lubrication
MA-2501 - MA-3501

MA-2501
MA-3501



Photograph
By the kind permission of

1926
Villa & Bonaldi s.r.l.
Piacenza - Italy

- Gr size
- de tube outside diameter
- di tube inside diameter
- Lu roll usefull length
- RE expansion depth